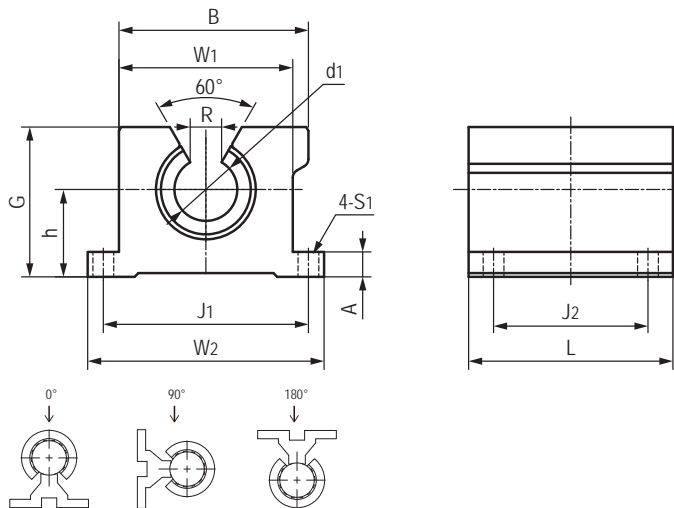


LINPB-11GK-IN 开口直线轴承座 Open pillow blocks



- 开口型轴承座设计
- 高精度与滚珠轴承相同
- 标准滑动膜材料TEFPLAS® B
- 自调心铝合金座孔
- 螺栓固定
- 免维护、低噪音
- 使用温度 ± 200℃
- Open housing design
- High precision similar to preloaded ball bearing
- Standard liner material TEFPLAS® B
- Self-aligning aluminum housing
- Secured by bolts
- Maintenance-free and low noise
- Operation temperature ± 200℃

标准规格 Standard specifications



产品编码 Part No.:

LINPB-11GK-16-IN

英制 Inch size

轴承内径 Inner diameter

 开口设计直线轴承座
Pillow block, open design

长设计 Long design

滑动膜 Liner: TEFPLAS® B

轴 Shaft: h6-h7

产品编码 Part No.	d ₁ [Inch]		h [Inch]	W ₁ [Inch]	W ₂ [Inch]	J ₁ [Inch]	J ₂ [Inch]	L [Inch]	G [Inch]	B [Inch]	R [Inch]	S ₁ [Inch]
	Min.	Max.										
LINPB-11GK-08-IN	0.5002	0.5013	0.687	1.375	2.000	1.688	1.000	1.500	1.125	1.438	0.313	5/32
LINPB-11GK-10-IN	0.6252	0.6263	0.875	1.750	2.500	2.125	1.125	1.750	1.438	1.750	0.375	3/16
LINPB-11GK-12-IN	0.7503	0.7516	0.937	1.875	2.500	2.375	1.250	1.880	1.563	1.938	0.438	3/16
LINPB-11GK-16-IN	1.0003	1.0016	1.187	2.385	3.250	2.875	1.750	2.630	1.938	2.438	0.563	7/32
LINPB-11GK-20-IN	1.2504	1.2519	1.500	3.000	4.000	3.5	2.000	3.380	2.500	3.125	0.625	7/32
LINPB-11GK-24-IN	1.5004	1.5019	1.750	3.500	4.750	4.125	2.500	3.750	2.875	3.625	0.750	9/32

产品编码 Part No.	内装轴承 Bearing	轴径 Shaft [Inch]	F max. [N] 最大动载荷 Dynamic Load			F max. [N] 最大静载荷 Static Load			重量 Weight [g]
			0°	90°	180°	0°	90°	180°	
			LINPB-11GK-08-IN	LINPB-11RK-08-IN	1/2	1995	3724	3985	
LINPB-11GK-10-IN	LINPB-11RK-10-IN	5/8	2995	5594	5990	5990	11187	11980	226.8
LINPB-11GK-12-IN	LINPB-11RK-12-IN	3/4	3901	7275	7793	7803	14550	15587	263.1
LINPB-11GK-16-IN	LINPB-11RK-16-IN	1	7221	13466	14424	14442	26931	28847	453.6
LINPB-11GK-20-IN	LINPB-11RK-20-IN	1-1/4	10541	19663	21055	21081	39326	42110	907.2
LINPB-11GK-24-IN	LINPB-11RK-24-IN	1-1/2	14451	26976	28895	28902	53953	57789	1360.8